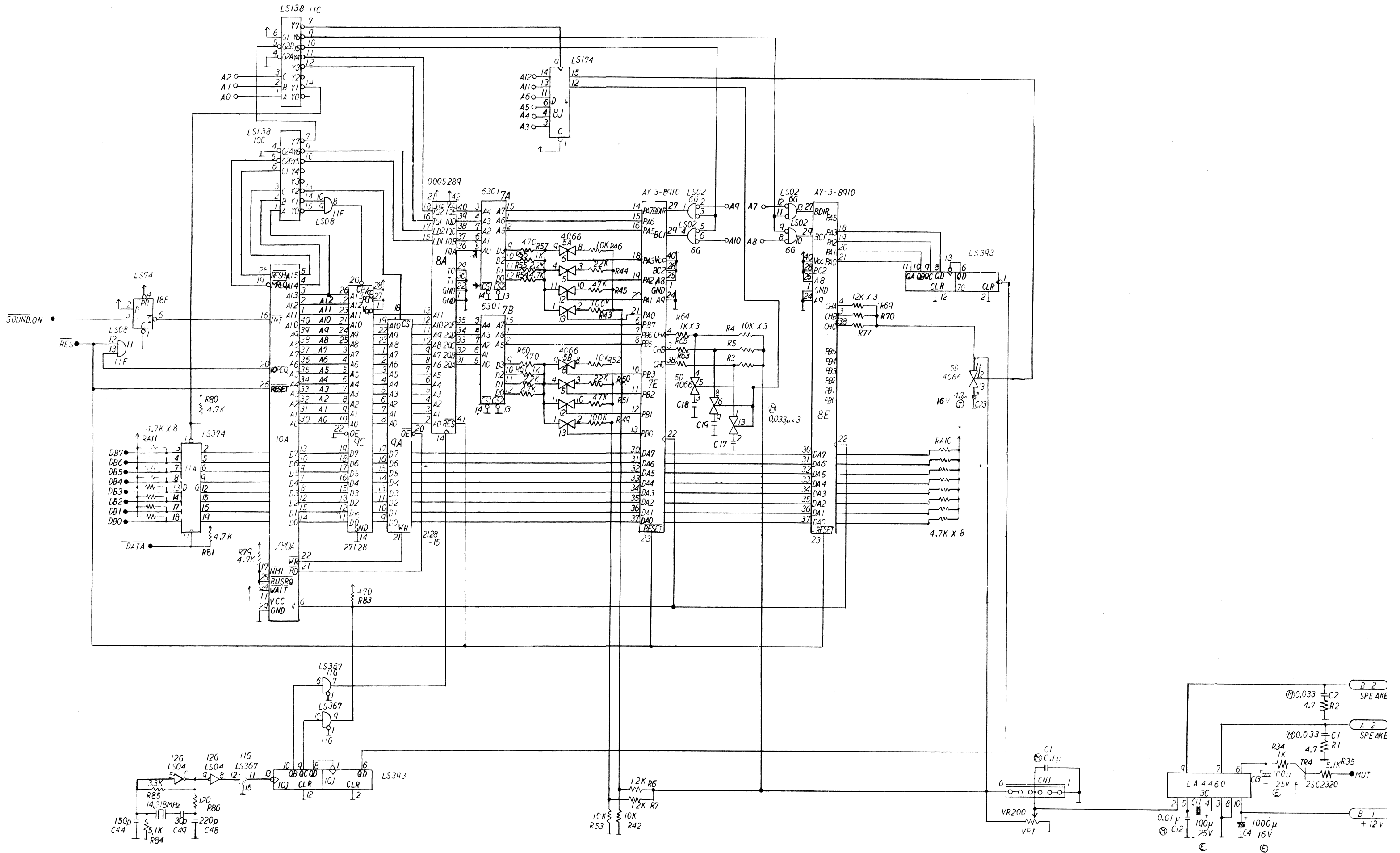
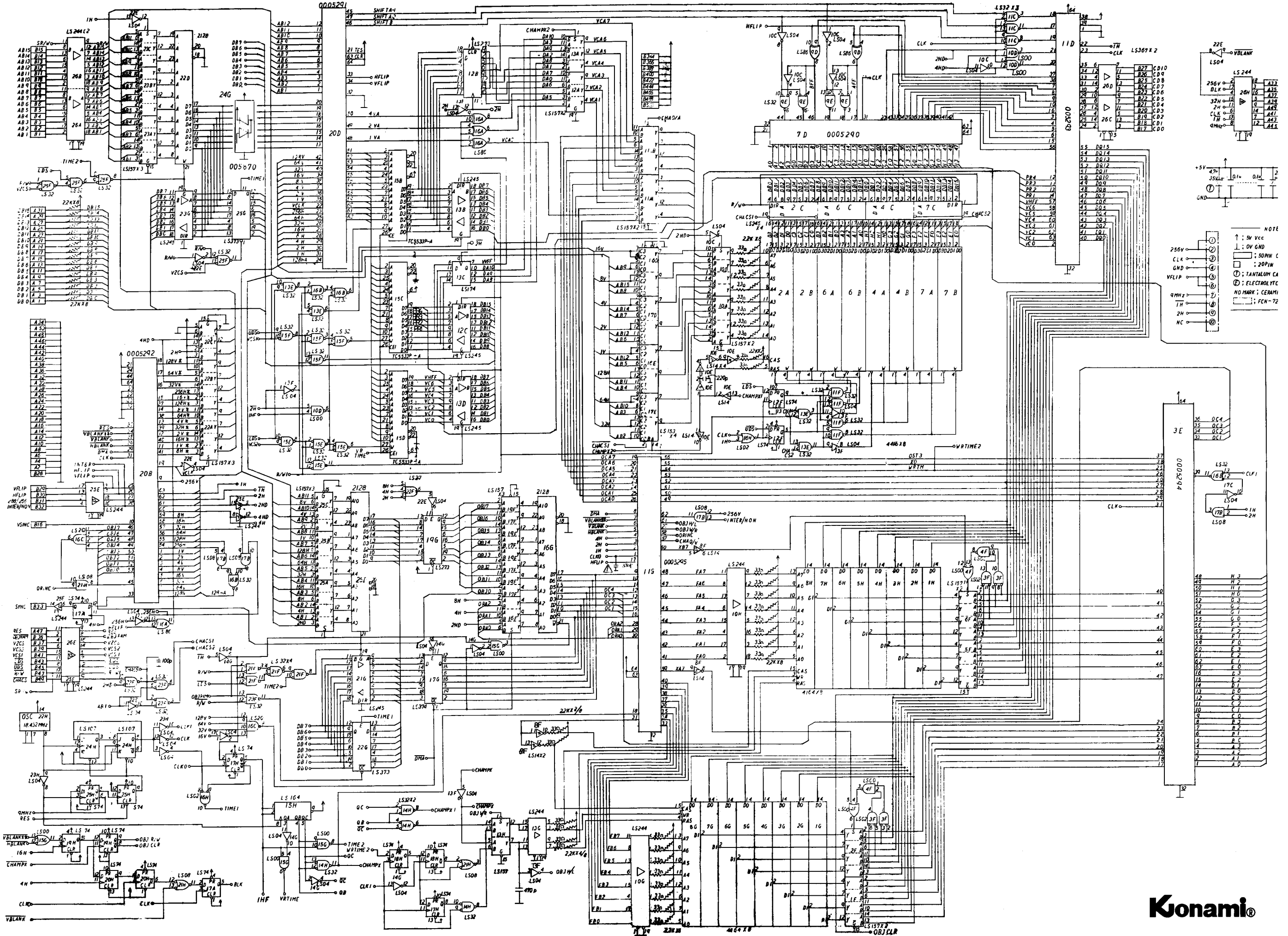


NOTE

- A : A CONNECTOR (XG3A-5C15)
- B : B CONNECTOR (XG3A-5C15)
- 1168-036-009 KEL36P
- D : D CONNECTOR (D7650)
- RTB15_2F
- OFF PAGE CONNECTOR
- ON PAGE CONNECTOR





NOTE

- ①: 5V VCC
- ②: 0V GND
- ③: 50PIN C
- ④: 20PIN
- ⑤: TANTALUM CA
- ⑥: ELECTROLUM YTC
- ⑦: NO MARK; CEMMI
- ⑧: FCN-72

256V	①
CLK	②
GND	③
VFLIP	④
9MHz	⑤
TH	⑥
2H	⑦
HC	⑧